



Our Location



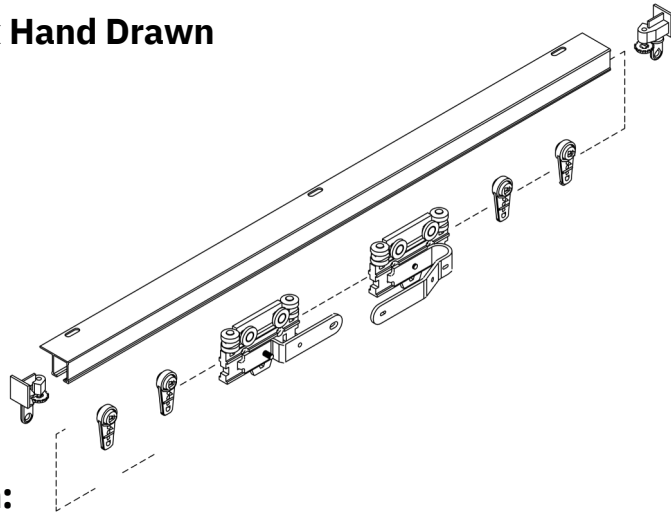
CURTAIN TRACKS BROCHURE

Designed for easy operation, providing seamless control of light and privacy

Contact us for more:
+264 61 302 030
info@colorblinds.com.na
www.colorblinds.com.na

GLIDE CURTAIN TRACKS

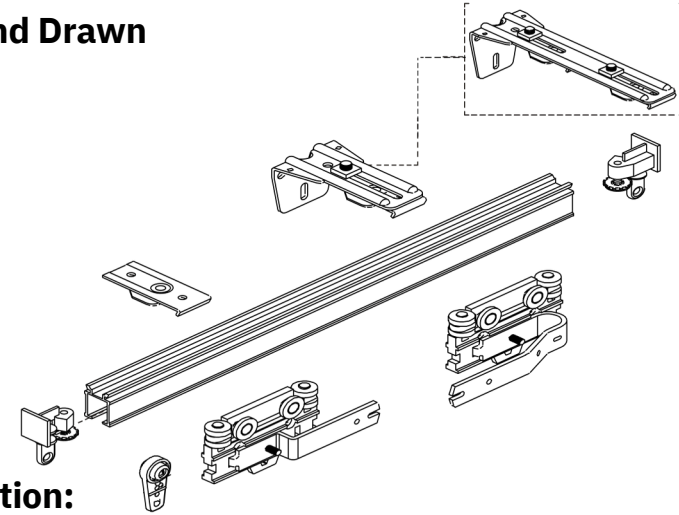
Glide Top Fix Hand Drawn



Specification:

The Glide Top Fix curtain track is a white or anodized aluminum track designed for easy ceiling (top) mounting with pre-drilled holes. It's hand-drawn or wand-operated, using a smooth system with ball bearing runners (10kg/m capacity, 14 runners/m).

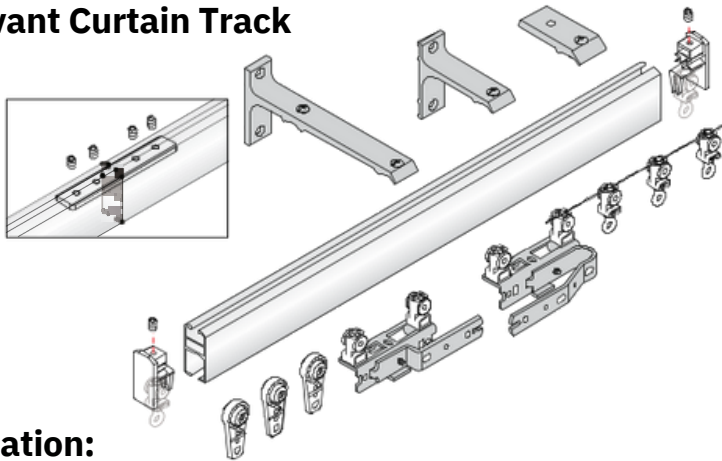
Glide Hand Drawn



Specification:

The Glide Hand Drawn curtain track is a durable, slim white aluminum track suitable for top, face, or double face mounting. It's hand-drawn or wand-operated, using a smooth system with ball bearing runners (10kg/m capacity, 14 runners/m). Custom bending is available.

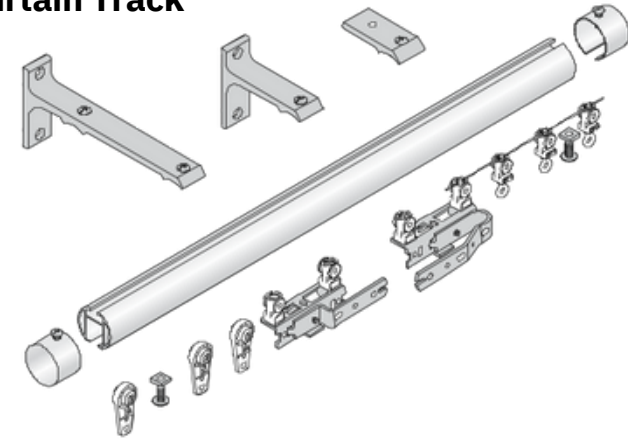
Glide Avant Curtain Track



Specification:

The Glide Avant curtain track is a stylish, exposed track with a flat, rectangular profile, available in various colors. Color-matched aluminum brackets allow for top, face, or double face mounting. It's hand-drawn or wand-operated, using smooth ball bearing runners (10kg/m capacity, 14 runners/m). Custom bending is available.

Glide Urban Curtain Track

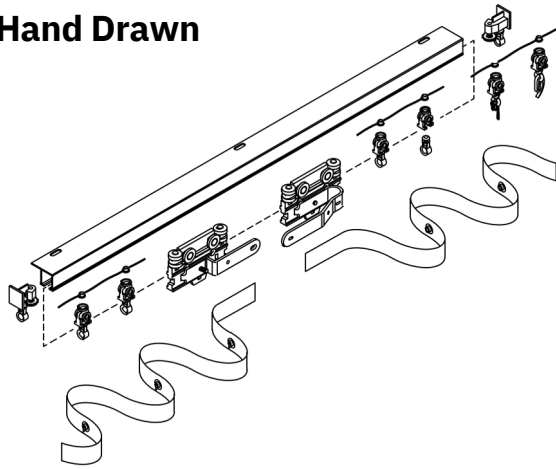


Specification:

The Glide Urban track is a modern, exposed, round profile track available in various colors. Color-matched aluminum brackets allow for top, face, or double face mounting. It's hand-drawn or wand-operated, using smooth ball bearing runners (10kg/m capacity, 14 runners/m).

RIPPLE CURTAIN TRACKS

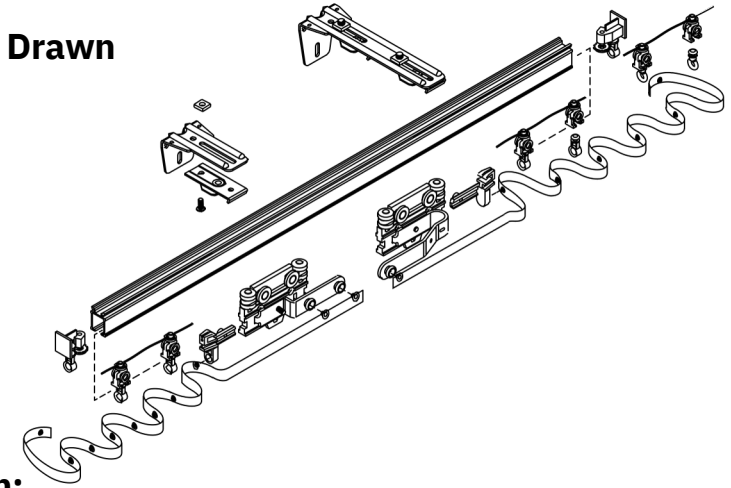
Ripple Top Fix Hand Drawn



Specification:

The Ripple Top Fix Hand Drawn curtain track is a white or anodized aluminum track designed for easy ceiling (top) mounting. Pre-drilled holes ensure quick installation. It uses a smooth, hand-drawn or wand system with linked runners for a consistent ripple effect. Various fullness and tape options are available.

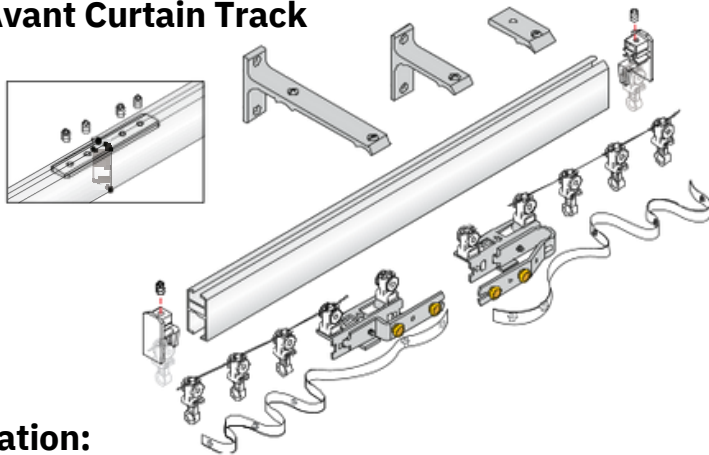
Ripple Hand Drawn



Specification:

The Ripple Hand Drawn curtain track is a durable, slim white aluminum track suitable for various installations (top, face, or double face). It features a smooth, hand-drawn or wand-operated system with linked runners for a consistent ripple effect. Different fullness and tape options are available, and custom bending is possible.

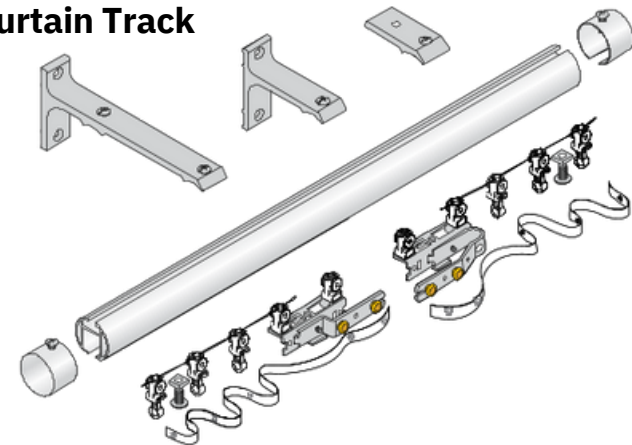
Ripple Avant Curtain Track



Specification:

The Ripple Avant curtain track is a stylish, exposed track with a flat, rectangular profile, available in various colors. Color-matched aluminum brackets allow for top, face, or double face mounting. It features a smooth system with linked runners for a consistent ripple effect. Different fullness and tape options are available, and custom bending is possible.

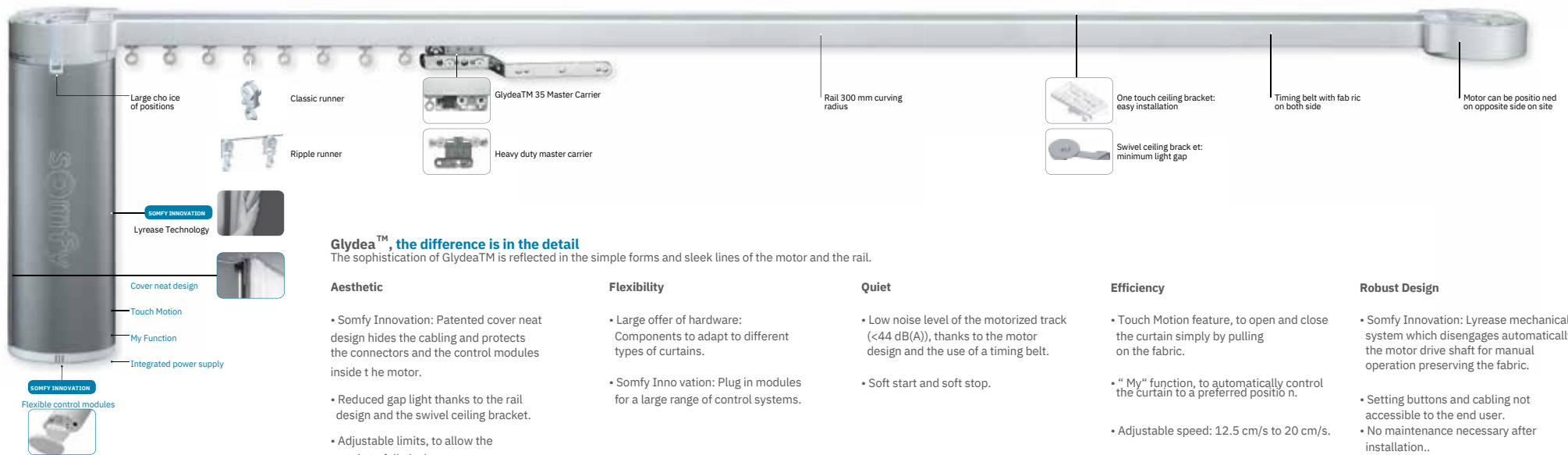
Ripple Urban Curtain Track



Specification:

The Ripple Urban track is a modern, exposed, round profile track available in various colors. Color-matched aluminum brackets allow for top, face, or double face mounting. It features a smooth system with linked runners for a consistent ripple effect. Different fullness and tape options are available.

SOMFY MOTORISED CURTAIN TRACKS



Glydea™, the difference is in the detail

The sophistication of Glydea™ is reflected in the simple forms and sleek lines of the motor and the rail.

Aesthetic

- Somfy Innovation: Patented cover neat design hides the cabling and protects the connectors and the control modules inside the motor.
- Reduced gap light thanks to the rail design and the swivel ceiling bracket.
- Adjustable limits, to allow the curtain to fall nicely.

Flexibility

- Large offer of hardware: Components to adapt to different types of curtains.
- Somfy Innovation: Plug in modules for a large range of control systems.

Quiet

- Low noise level of the motorized track (<44 dB(A)), thanks to the motor design and the use of a timing belt.
- Soft start and soft stop.

Efficiency

- Touch Motion feature, to open and close the curtain simply by pulling on the fabric.
- “My” function, to automatically control the curtain to a preferred position.
- Adjustable speed: 12.5 cm/s to 20 cm/s.

Robust Design

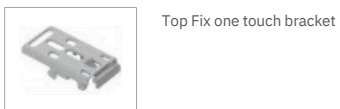
- Somfy Innovation: Lyrease mechanical system which disengages automatically the motor drive shaft for manual operation preserving the fabric.
- Setting buttons and cabling not accessible to the end user.
- No maintenance necessary after installation.

Specification:

Somfy Curtain Tracks are a premium European product available with either 60kg or 35kg 220v motor, or a 45kg rechargeable battery powered motor. Brackets are available to suit Top Fix, Face Fix or Double Face Fix installation applications.

The track is available in both GLIDE and RIPPLE options. The Ripple Runners are available in a variety of fullness options. You can choose between the press stud and snap tape or hook tape options. The master carrier is driven by a low friction rubber belt, and different arms are available for the master carrier to suite your application.

MOTORISED CURTAIN TRACK



Top Fix one touch bracket



Top Fix Swivel Bracket



Face Fix extending bracket



Rubber belt

Universal

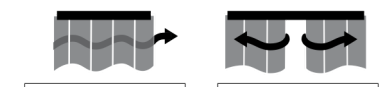
- Rail up to 12 m long.
- Bending radius from 300 mm.
- Large choice of rail shapes.
- Curtain weight up to 60 kg.
- Large range of accessories to adapt to different types of curtains:

Mounting

Standard mounting



Opening



Lateral opening

Central opening

Compatibility



FEATURES:

- Heavy duty, High performance design
- Quiet operation
- Variety of motor options, 35 – 60kg's and 220v power or battery
- Adjustable limits and speed on the Glydea motor
- Variety of Remote control options, as well as integration with home automation
- A variety of runner and installation configurations to choose from
- Curtains can be operated by hand when the power is off
- Somfy tracks can be custom bent, or supplied with 90deg, 45deg or continuous curves.
- 5 year warranty



We offer a wide selection with customisable options to match your unique style and space

