



PRODUCT BROCHURE



Your Journey through Window Furnishings



OUR STORY

Colorblinds was founded in 1999, boasting over 20 years of experience in the blinds industry. With our wide range of products, there is no "impossible" on offering a solution to any open space. Recently we changed our name to Color Blinds & Interiors to offer you even more tried and tested products. Whether you are a big corporate looking to equip your building with blinds or a home owner looking to renovate, Color Blinds & Interiors can provide you with expert recommendations, advice, and solutions. Color Blinds & Interiors team of experts are proud to announce that we manufacture, supply and install Aluminium Doors, windows and Glass at our Aluminium Works Factory.



Visit us on:
189 Mandume Ndemufayo
Avenue, Southern Industrial,
Windhoek

Contact us for more:
+264 61 302 030
info@colorblinds.com.na
www.colorblinds.com.na



OUR SUPPLIERS

All our products are sourced from some of the best suppliers in Southern Africa, with some of the most reliable and tested products available on the world market today.



All our products are custom made according to your specific measurements (width x height) in mm. Our products are also priced according to these sizes. As part of our service to you, we provide a free measurement service within a 40km radius of Windhoek. Installations in and around Windhoek are also completely free

OUR PRODUCTS

ROLLER **BLINDS**

DOUBLE ROLLER **BLINDS**

VISION **BLINDS**

ROMAN **BLINDS**

DESIGNER **BLINDS**

VENETIAN **BLINDS**

SLIDING PANEL **BLINDS**

VERTICAL **BLINDS**

CURTAINS & **TRACKS**

SHUTTERS

OUTDOOR **BLINDS**

ADJUSTABLE **AWNINGS**

FIXED **AWNINGS**

FABRIC **AWNINGS**

WALLPAPER

WINDOW **FILMS**

ALUMINIUM **WINDOWS**

ALUMINIUM **DOORS**

KEY TO SYMBOLS



CAN BE MOTORISED



FULL PRIVACY



AVAILABLE IN THE DESIGNER RANGE



AVAILABLE WITH A VALANCE



DAYTIME PRIVACY



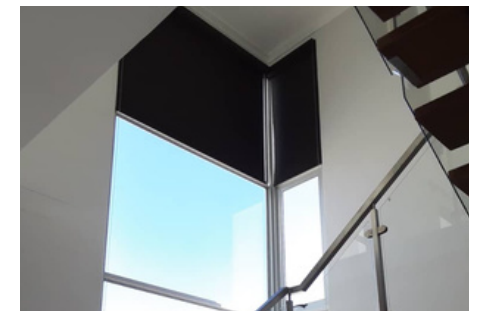
12 V D/C RECHARGEABLE BATTERY MOTOR



12 V D/C BATTERY PACK MOTOR



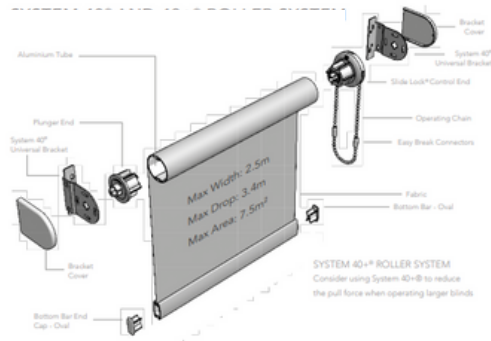
220 V A/C POWERED MOTORS



ROLLER BLINDS



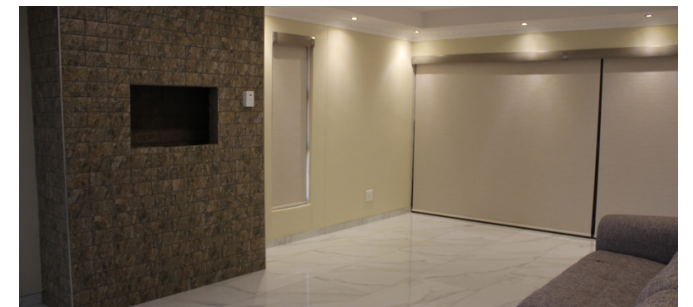
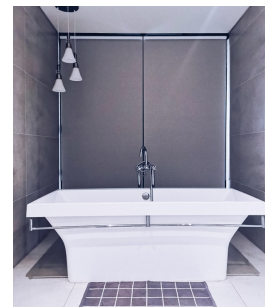
The Roller Blind is simple, stylish and easy to operate. The blind can be rolled up or down to achieve the required level of shading. A wide range of fabrics and textures ensures a match for any décor, whether it is one of our urban designs for your living room or a blackout fabric for the bedroom.



BLOCKOUT ROLLER BLINDS



A Blockout Roller Blind is perfect for any area where you require full light or privacy control. Available in a wide range of colours and textures, the roller hardware is also available in a choice of colours. The Blockout Roller Blind features durable practicality with decorative style.



LIGHT FILTER ROLLER **BLINDS**



A Light Filtering Roller Blind features a fabric that provides privacy while still allowing you to harness the natural light for a room. The Light Filtering Blind is a great way to add texture to a room as the combination of the weave accentuated by the light, adds depth to your décor. We term them as day time privacy options because it may be possible to make out silhouettes during the night time once you turn on lights inside your home.

SCREEN FABRIC ROLLER **BLINDS**



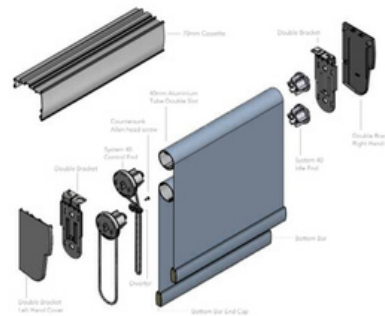
Screen Fabric Roller Blinds are as beautiful as they are practical. The woven fabrics allow a view to the outside while effectively controlling heat and glare. Make your choice from a wide variety of ranges that vary in how they are woven and how open they are, to provide the correct degree of glare and heat control.



DOUBLE ROLLER **BLINDS**



Two Roller Blinds enclosed in one neat cassette system with a minimal footprint in your window reveal. The blinds, controlled separately, offers a screen fabric to allow daytime views and privacy, and a full blackout for full light control and privacy. Get the best of both worlds with one neat solution.



VISION **BLINDS**



Vision Blinds offers full light control. Maintain your views in the daytime or close it for full privacy at night. This blind can also be completely rolled up. This is a stunning blind that will be a feature in itself.



ROMAN BLINDS



The Roman Panel blind mixes the sharp lines of contemporary décor with the luxurious presence of textiles. The blind radiates a bold personality when down with its distinct horizontal divisions and raises to a distinct presence when lifted occupying a portion above or in your window.

Roman Blinds are available in a complimentary range of blockout and light filtering fabrics.

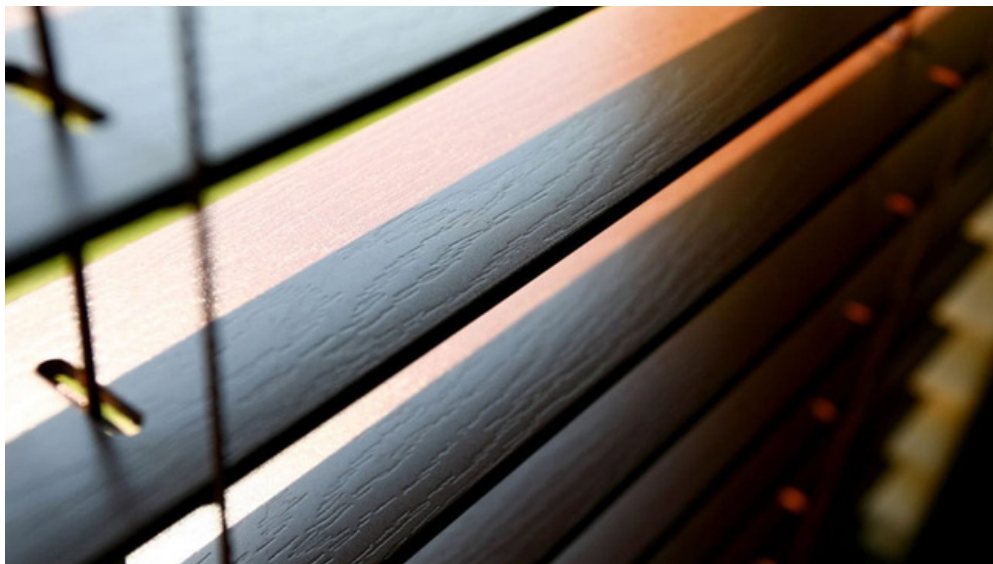
DESIGNER BLINDS



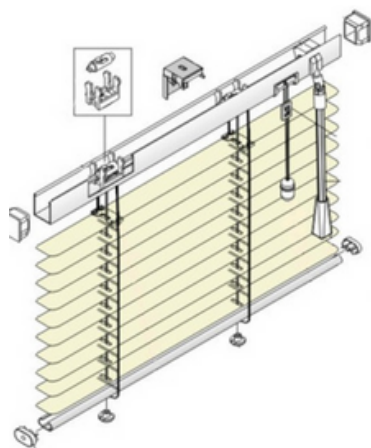
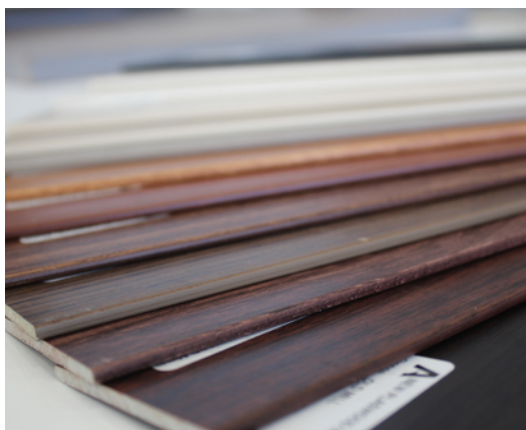
Make a statement with our range of designer blinds. Whether you are looking for a dramatic and deep palette inspired by the colours and depth of an African Thunderstorm, or just want to add a touch of glamour with an eastern inspired design, we have a unique designer blind perfect for you.

Designer blinds are available for roller blinds, roman blinds, sliding panel blinds, and vertical fabric blinds.

VENETIAN BLINDS



Venetian Blinds are characterised by their horizontal slats that can be tilted to adjust for privacy and light. Venetian Blinds are available in various materials and sizes. A Venetian blind can also be lifted completely if required.



ALUMINIUM VENETIAN BLINDS



The Aluminium Venetian Blind is designed to make a statement. A unique blind that combines metallic and wood textures, the product is particularly suited to contemporary interiors. The blinds' aluminium louvers allow you the flexibility to tilt and filter strong sunlight, providing a tranquil ambiance.



SLAT SIZES

- 25mm
- 35mm
- 50mm

WOOD VENETIAN BLINDS



The Wood Venetian Blind is a premium blind solution that is versatile and perfect for creating a modern, uncluttered look in your home. Whether you choose to tilt the slat and control your light or lift it completely to appreciate your view, the blind is bound to complement your décor.



SLAT SIZES
35mm
50mm

WOOD ALLOY VENETIAN BLINDS



Wood Alloy blinds are made from a patented material that combines the natural richness of wood and the durability of advanced engineered liquid polymers extruded and covered by a vinyl sleeve. The advantage of the product is that the material can take high humidity conditions.

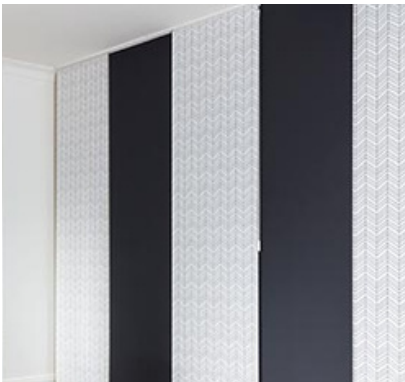


SLAT SIZES
50mm

SLIDING PANEL BLINDS



The Sliding Panel System is an elegant and bold shading solution for larger windows and patio doors and may be used as a room divider. The blind encompasses large panels of fabric which stack neatly behind one another when open, allowing maximum light while radiating maximum style. To control light, simply slide the panels to the required position. Available in variable panel sizes



VERTICAL BLINDS



Fabric vertical blinds provide a decorative and effective method in which to control light while still maintaining a perfect view. This timeless classic still remains popular today. Vertical Blinds are easy to use and versatile. It offers unlimited views when drawn back or one can maintain the light and privacy by adjusting the louvers.



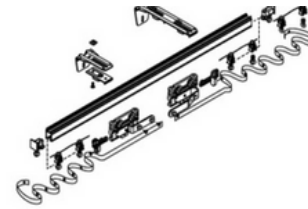
VANE SIZES
90mm
127mm

CURTAINS & TRACKS

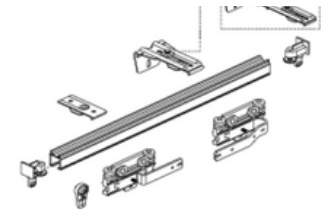


Curtains are the orthodox solution for your windows. There are different types of materials available to suit your specific need. Choose between blockout materials, light filtering materials and sheer/voile materials. Blockouts are thick materials, and aid in privacy and keeping the harsh Namibian sun out completely. Light filtering fabrics allow the right amount of light in, whilst giving a degree of privacy. Sheers are a light fabric, which in its semi transparent state allows much needed natural light and increased day time view.

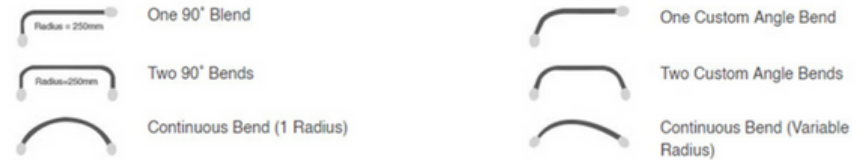
RIPPLE CURTAIN TRACK



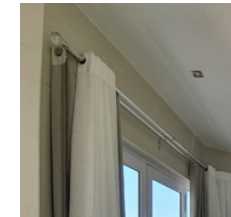
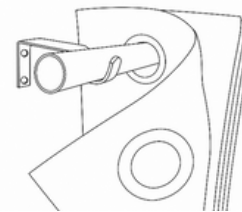
GLIDE CURTAIN TRACK



CURVED TRACKS



EYELET CURTAIN TRACKS



SHUTTERS



The All-In-One, Stylish Solution, replaces the need for blinds, curtains and burglar bars, and are custom made to protect a wide range of door and window formats. Shutters are ideal for light, wind and ventilation control. Not only do they enhance the aesthetic appeal of your home, they will also increase the value.



TAYLOR
BLINDS & SHUTTERS Est.1959

Luxaflex[®]

ALTRA
SHUTTER

SHUTTERX



**Shutterguard[®]
Security Shutter**



**Hurricane
Aluminium Shutters**

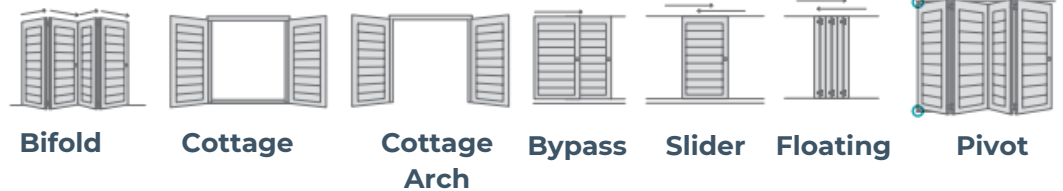


**Thermowood[®]
Shutters**



**Timber Wood
Shutters**

Configurations



OUTDOOR BLINDS

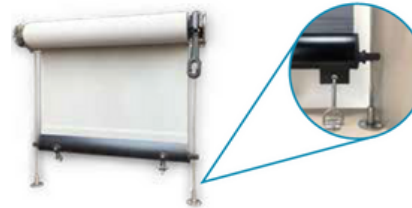


The Outdoor Blind is the modern alternative for your patio. The hi-tech fabrics manage heat and glare on your patio while maintaining the view. The Outdoor Blind will allow you maximum use of your external entertainment areas by stopping heat and glare and also providing a degree of weather protection while maintaining your view. A patio blind is a wonderful way to increase your use of external entertainment areas by providing protection against the sun's heat and glare.

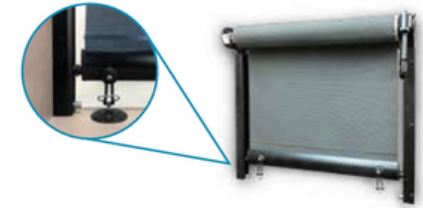


RIPTECH
MASTERING
THE ELEMENTS

SHEERWEAVE
BY PHIFER



Hang Blind: Wire Guide Kit



Free Hang Blind: Side Channel Kit



ALUMINIUM AWNINGS



Manage the harsh Namibian sun with an Adjustable Aluminium Awning. Adjustable Aluminium Awnings has louvres that can open and close. They allow you to have the best of both worlds, shade when you need it and sunshine when you want it. Turn your outdoor space into a luxury space with our range of Awnings.



FIXED AWNINGS



If you are looking for style and durability, consider one of our Aluminium Fixed Patio Awnings. These provide perfect shading for patios, verandahs and car ports. They also provides a degree of weather protection and privacy when complimented with Outdoor Blinds.



FIXED LOUVRE AWNINGS



Our Fixed Louvre Awnings provide a choice of blades or slats which offer excellent protection from the elements. They provide protection from the sun, wind and a certain degree of rain. They keep your house cooler in the summer and warmer in the winter. Should any of the panels become damaged, the design provides for an easy panel replacement without removing the awning.



RETRACTABLE AWNINGS



Our finest Retractable Awnings are the perfect addition to your home, allowing flexibility to make the most of your space. When extended, our Retractable Awnings provide shade and help to define a space. When retracted, your Awning blends into the background of your home allowing a more open environment.



FABRIC AWNINGS



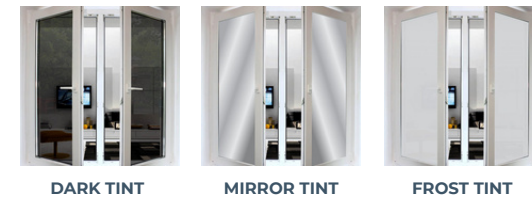
We have a variety of Fabric Awnings, that either are fixed or retractable. They are perfect for providing shade and cover over windows and doors. There are different styles to choose from, each having it's own unique benefits. Choose from a number of fabrics and colours to suit your needs and colour schemes of your home.



WINDOW FILMS



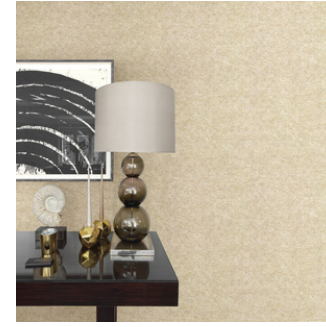
Window films are an affordable alternative to conventional window coverings. Protect your interior and your furniture while still maintaining optimal visibility. Window film will reduce glare and lower temperature while simultaneously maintaining your views. Color Blinds & Interiors supplies and installs a wide variety of window films.



WALLPAPER



If you want to breathe some life into your home in a way that a fresh coat of paint can't capture, wallpaper can be a design investment worth making. With easy-to-install, modern wallpaper, you can claim your space with our premium wallpaper murals customized for your wall. Our selection of wallpaper is supplied by Hertex, U&G Fabrics, Eshanima Fabrics.



EXCLUSIVITY HAS A NEW HOME



ALUMINIUM WINDOWS



The ColorBlinds & Interiors team of experts are proud to announce that we manufacture, supply and install Aluminium Windows and Glass at our Aluminium Works Factory:

- Crealco swift 30.5
- Crealco swift 34
- Crealco Clip 44
- Crealco Vistafold sliding folding windows
- Crealco Icon sliding window 700 series

Our windows can either be side hung, top hung, pivot and folding. We supply throughout Namibia.



Aluminium Frame colour options:

Silver Anodized



Gloss White



Charcoal



Bronze



Jet Black



All our windows come standard with either 4mm glass in clear Silver reflective, one way bronze and obscure and 6.38 laminated glass in either clear, Colourvue cool tinted, Shadowlite 25, Solarshield tinted and many other on request. You have an option to add Flyscreens , Clearbars and Window Tint for a more aesthetic look.



ALUMINIUM DOORS



The ColorBlinds & Interiors team of experts are proud to announce that we manufacture, supply and install Aluminium Doors and Glass at our Aluminium Works Factory:

- Crealco Clip 44 Shop Front Hinged door
- Crealco Palace High Performance Sliding Door
- Crealco Icon patio Sliding Door 700 Series
- Crealco Vistafold Sliding Folding Door



Aluminium Frame colour options:

Silver Anodized



Gloss White



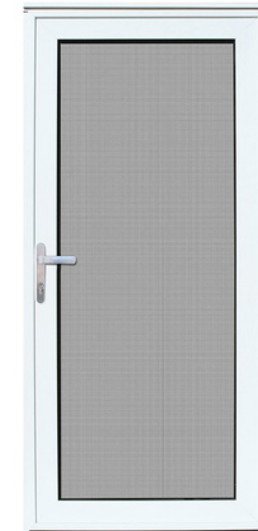
Charcoal



Bronze



Jet Black



All our doors come standard with 6.38 laminated glass in either clear, Colourvue Cool Tinted, Shadowlite 25, Solarshield Tinted and many other on request. You have an option to add Flyscreens, Clearbars and Window Tint for a more aesthetic look.





PRODUCT WARRANTIES*

Blind Designs - 2 years

Aluvert - 3 years

Ventolite - 2 years

Taylor Hurricane & Shutterguard - 10 years

Taylor - 3 years

Alushade - 3 years

Somfy motors - 5 years

Louvolite - 2 years

*Terms & Conditions Apply

Visit us on:
189 Mandume Ndemufayo
Avenue, Southern Industrial,
Windhoek

Contact us for more:
+264 61 302 030
info@colorblinds.com.na
www.colorblinds.com.na

